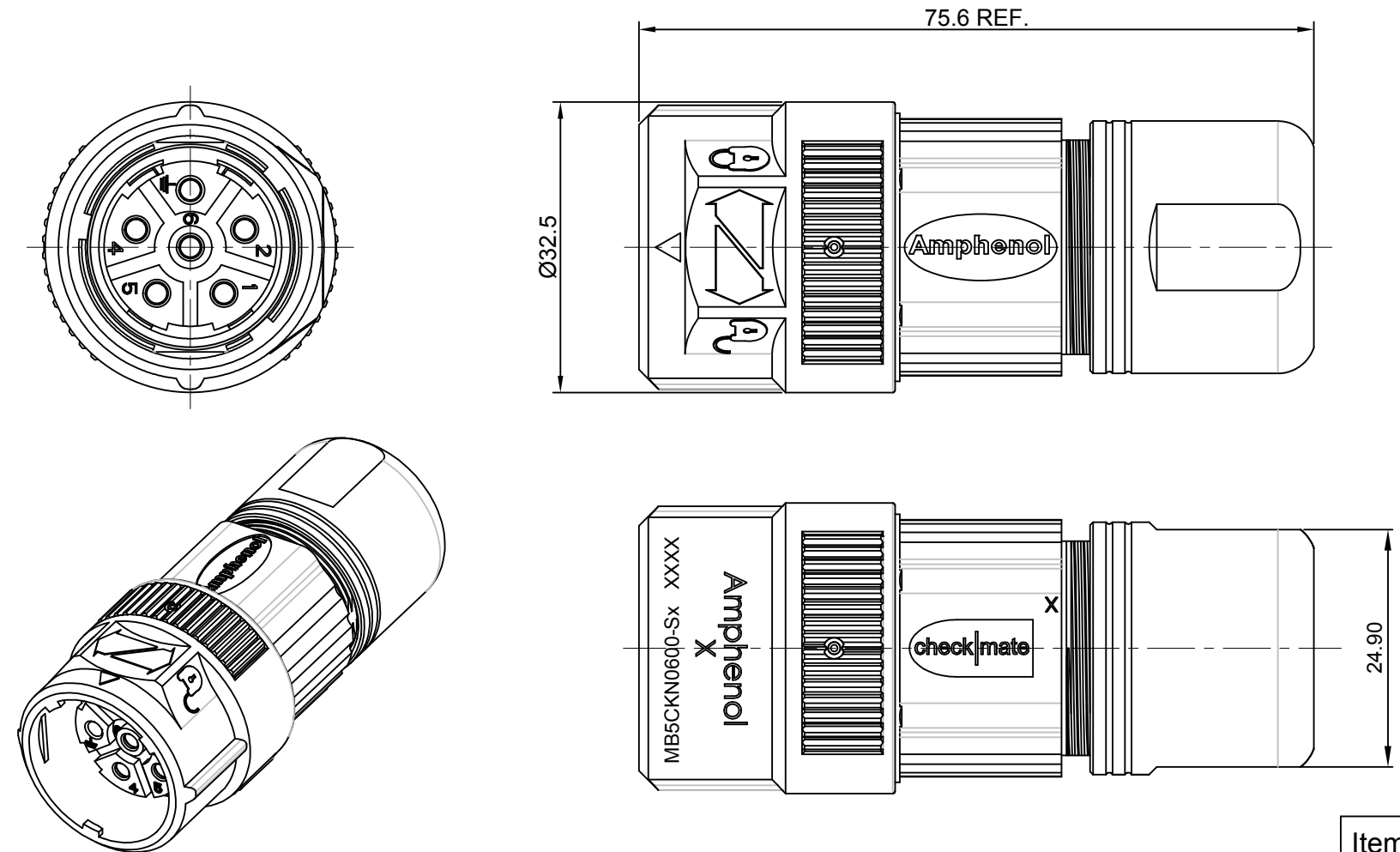


REVISIONS					
REV	ECO	DESCRIPTION	DATE	BY	APPR
A1	-	FIRST RELEASE	Nov.6,2017	White	Tommy



NOTES: UNLESS OTHERWISE SPECIFIED

- MATERIAL:
 INSULATION INSERT: PA66,UL94 V0
 SEAL: VITON, EPDM
 HOUSING BODY: ZINC DIE CAST, NICKEL PLATED
 COUPLING NUT: ZINC DIE CAST, NICKEL PLATED
 CONTACT: COPPER ALLOY, GOLD PLATED
- SPECIFICATIONS:
 2.1 CURRENT RATING: 28 AMPS
 2.2 VOLTAGE RATING: 630V AC/DC
 2.3 CONTACT RESISTANCE: <3 mOHMS
 2.4 OPERATING TEMPERATURE: -20°C TO +130°C
 2.5 DIELECTRIC WITHSTANDING VOLTAGE: LESS THAN 2 MILLIAMPS CURRENT LEAKAGE @ 6000 VOLTS AC.
 2.6 DEGREE OF PROTECTION: IP67 (MATED CONDITION)
 2.7 DEGREE OF POLLUTION: 3 PER UL840
 2.8 OVERVOLTAGE CATEGORY: III PER UL840
 2.9 MATING CYCLE DURABILITY: >500 CYCLES
 2.10 RoHS COMPLIANT
- ALL DIMENSIONS ARE FOR REFERENCE USE ONLY.

Item	Part number	Connector P/N	Cable OD Range
1	MB5CKN0600-S1-KIT	MB5CKN0600-S1	7.5~11.0 mm
2	MB5CKN0600-S2-KIT	MB5CKN0600-S2	11.0~14.5 mm
3	MB5CKN0600-S3-KIT	MB5CKN0600-S3	14.5~17.0 mm

QUANTITY	PART NUMBER	DESCRIPTION	ITEM
6	SC000260	Socket contact,2.0mm,Crimp 14~18AWG	2
1	MB5CKN0600-Sx	CONNECTOR	1

MATERIALS LIST

UNLESS OTHERWISE SPECIFIED 1) All dimensions are in metric(mm). 2) Tolerances are as follows: 1 PL DEC ±0.30 Fractions ±1/64 2 PL DEC ±0.15 Angles ±1° 3 PL DEC ±0.08	SIGNATURES DRAWN: White Nov.6,2017 CHECKED: Tod Nov.6,2017 ENGINEER: APPROVAL: Tommy Nov.6,2017 CUSTOMER:	DATE Nov.6,2017 Nov.6,2017 Nov.6,2017
MATERIAL SPECIFICATIONS:	<p>Sine Systems - www.amphenol-sine.com 44724 Morley Drive Clinton Township, MI 48036</p>	
PROCESS SPECIFICATIONS:	THIS DRAWING IS SUPPLIED FOR INFORMATION ONLY. DESIGN FEATURES, SPECIFICATIONS AND PERFORMANCE DATA SHOWN HEREON ARE THE PROPERTY OF THE AMPHENOL CORPORATION. NO RIGHTS OF REPRODUCTION ARE IMPLIED. ALL DIMENSIONS ARE SUBJECT TO NORMAL MANUFACTURING VARIATIONS.	
NEXT ASSY:	SIZE: B C- TYPE: NONE SCALE: NONE	DWG NO: MB5CKN0600-Sx-KIT REVISION: A1

TITLE: KIT;M23B,PLUG,STR,6POS,CHECKMATE
 DWG NO: MB5CKN0600-Sx-KIT
 REV: A1
 SH: 1
 OF: 1