

THIS DRAWING IS UNPUBLISHED. RELEASED FOR PUBLICATION  
 © COPYRIGHT - By - ALL RIGHTS RESERVED.

| LOC | DIST | REVISIONS   |                           |         |        |
|-----|------|-------------|---------------------------|---------|--------|
| P   | LTR  | DESCRIPTION | DATE                      | DWN     | APVD   |
| CM  | 00   | H1          | REVISED PER ECO-11-004917 | 11MAR11 | RK HMR |

D

C

B

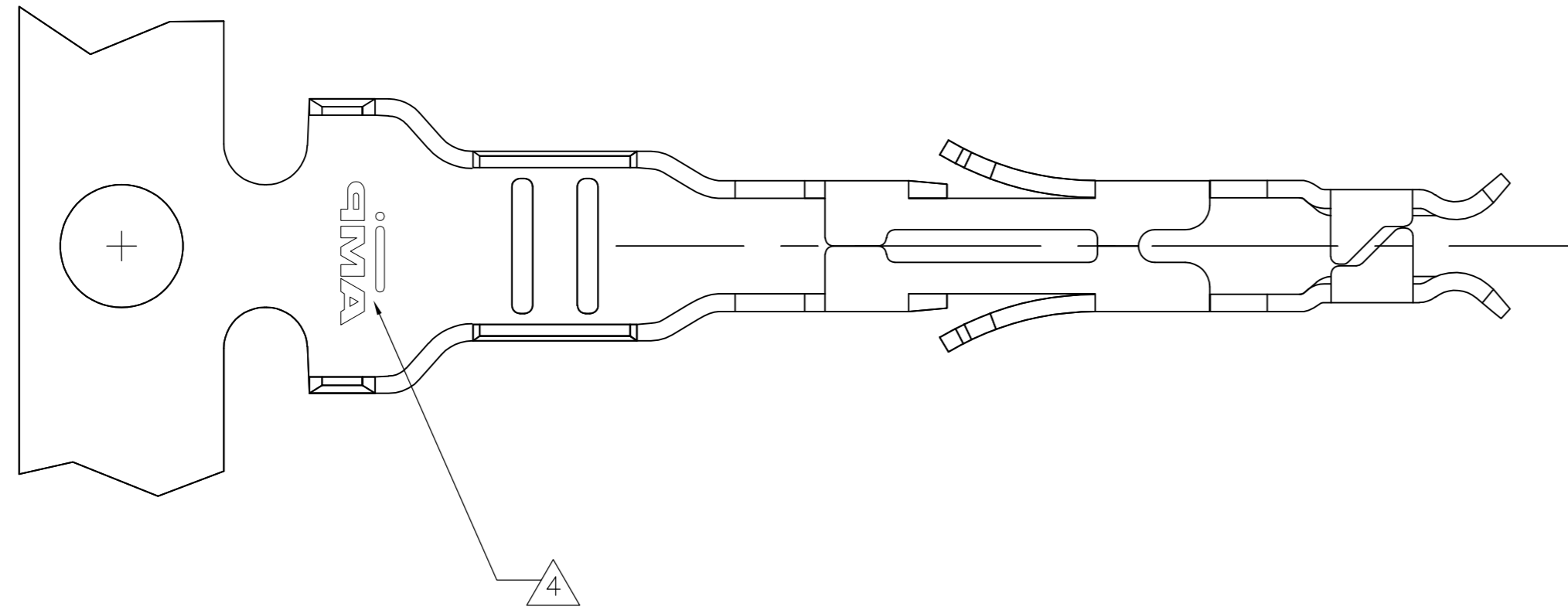
A

D

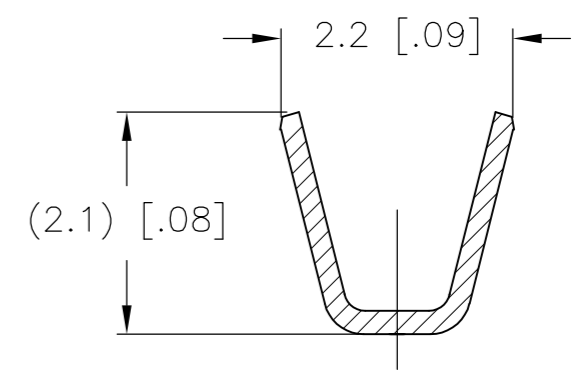
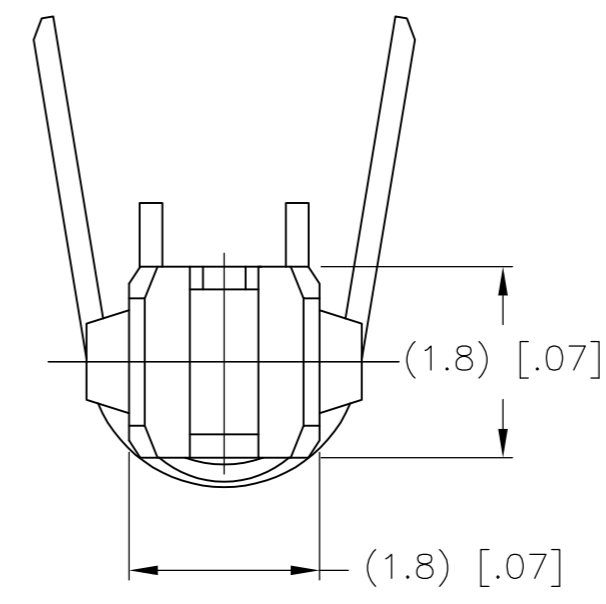
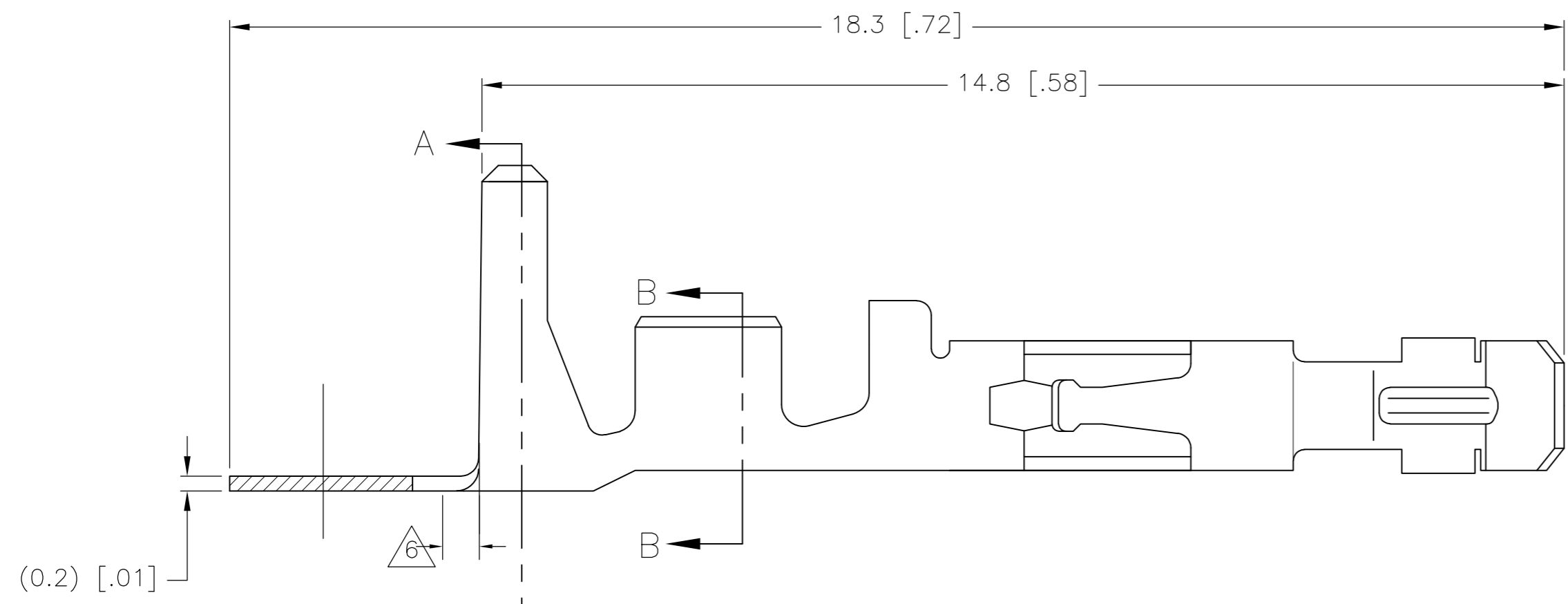
C

B

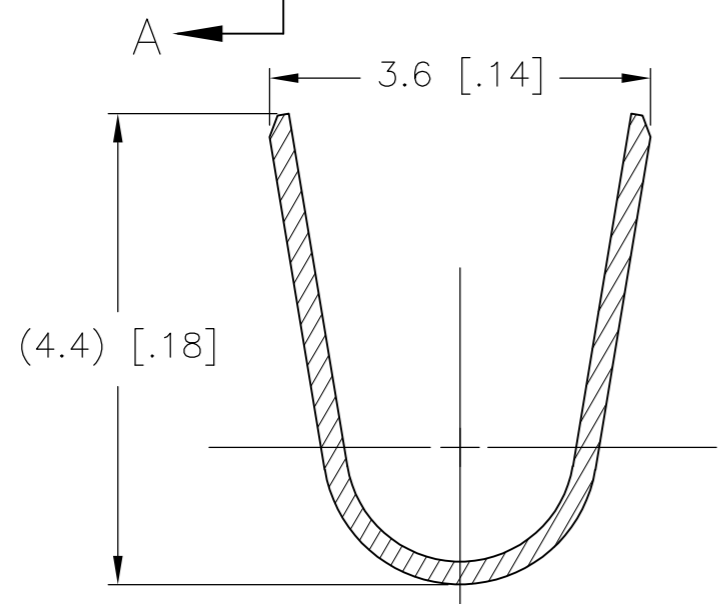
A



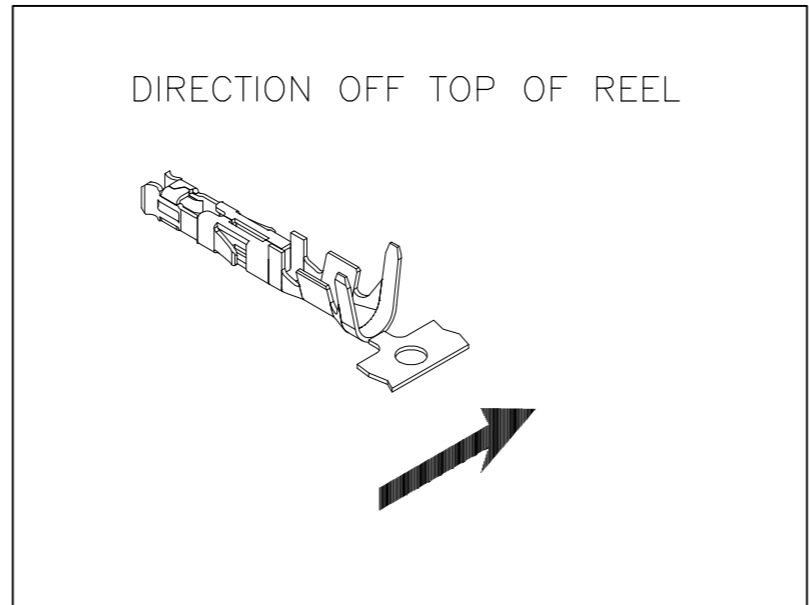
- HAND TOOL PART NUMBER 734202-2.
- EXTRACTION TOOL PART NUMBER 188688-1
- LOOSE PIECE CONTACT
- AMP TRADEMARK
- MATERIAL PHOSPHOR BRONZE PRETINNED 1-3 $\mu$ m
- CUT OFF DIMENSION FOR LOOSE PIECE CONTACT 0.5 [.02] MAXIMUM.
- WIRE RANGE: 0.30-0.87mm<sup>2</sup> [.012-.034in<sup>2</sup>], (18-22 AWG).
- INSULATION RANGE: 1.50-2.40 [.059-.094] DIAMETER.



SECTION B-B  
SCALE 14:1



SECTION A-A  
SCALE 14:1



|   |           |                 |             |
|---|-----------|-----------------|-------------|
| 3 | PRETINNED | PHOSPHOR BRONZE | 1-106529-2  |
|   | PRETINNED | PHOSPHOR BRONZE | 106529-2    |
|   | FINISH    | MATERIAL        | PART NUMBER |

|  |  |                           |                          |                 |
|--|--|---------------------------|--------------------------|-----------------|
| THIS DRAWING IS A CONTROLLED DOCUMENT. |  | DWN S. HOOVER 29-JAN-2004 |                          |                 |
| DIMENSIONS: mm [INCHES]                |  | CHK D. COLEY 29-JAN-2004  |                          |                 |
| TOLERANCES UNLESS OTHERWISE SPECIFIED: |  | APVD D. COLEY 29-JAN-2004 | NAME                     |                 |
| 0 PLC ±                                |  | PRODUCT SPEC              | SOCKET CONTACT AMP-DUAC™ |                 |
| 1 PLC ±                                |  | APPLICATION SPEC          | SIZE A2                  | CAGE CODE 00779 |
| 2 PLC ± 0.10 [.004]                    |  | WEIGHT                    | DRAWING NO C=106529      | RESTRICTED TO - |
| 3 PLC ±                                |  | CUSTOMER DRAWING          | SCALE 14:1               | SHEET 1 OF 1    |
| 4 PLC ±                                |  |                           | REV H1                   |                 |
| ANGLES ±                               |  |                           |                          |                 |
| FINISH                                 |  |                           |                          |                 |
| SEE CHART                              |  |                           |                          |                 |