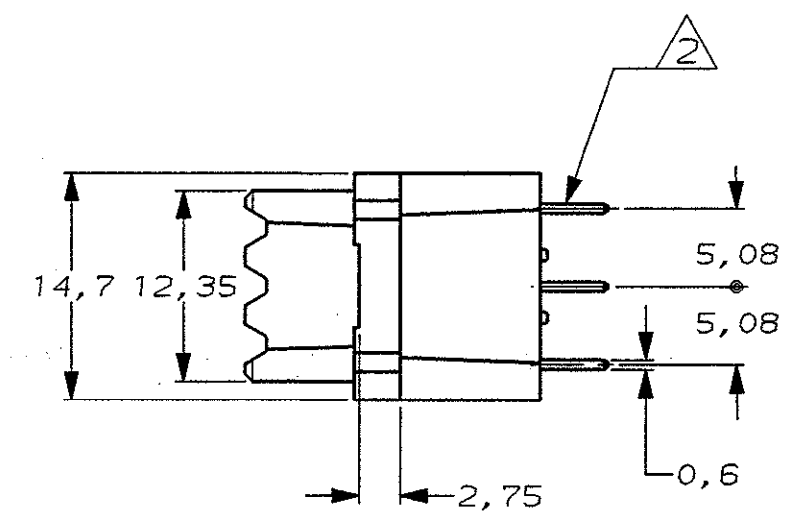
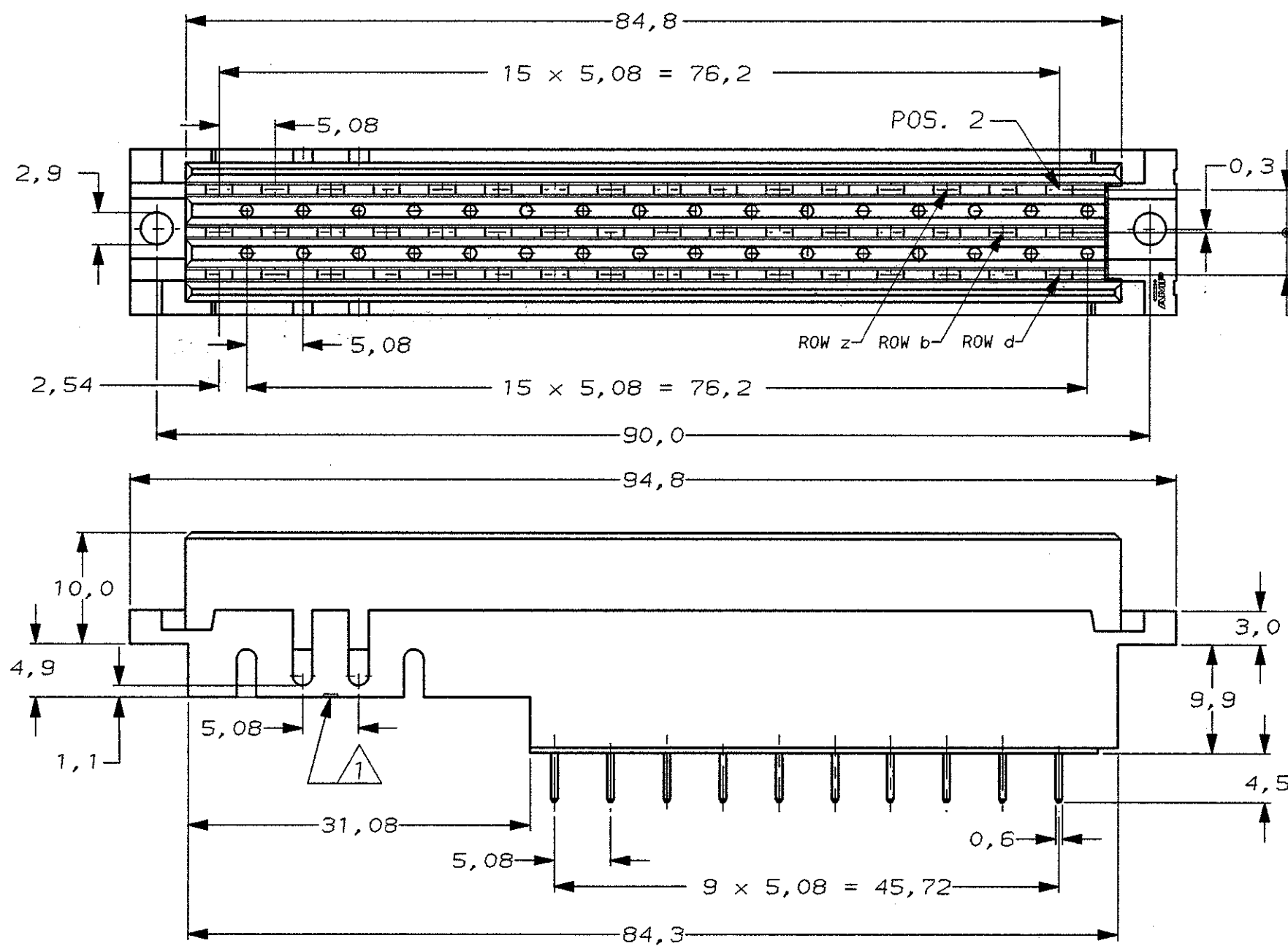


DO NOT SCALE
DIMENSIONS IN mm

METRIC



NOTES:

- ① 2 CHAMFERS AT INSIDE FOR LOCATION OF REMOVAL TOOL FOR MODULE p.n.216519-1
- ② SOLDERPOSTS SUITABLE FOR 0,80 OR 1,0 NOM. DIA HOLES

X X X X X X X X X	d	ROW																	
X X X X X X X X X	b																		
X X X X X X X X X	z																		
20	19	18	17	16	15	14	13	12	11	10	9	8	7	6	5	4	3	2	1

AN ASTERISK „X” DENOTES A CONTACT

AT CONTACT AREA 0,8 μm Au OVER 1,25 μm Ni AT SOLDERPOSTS; 2,5 μm Sn/Pb OVER 1,25 μm Ni	HOUSING: THERMOPL. POLYESTER G.F. COLOUR: GREY CONTACTS: PHOSPHORBRONZE	216520-4
FINISH	MATERIAL	PARTNUMBER

CUSTOMER DRAWING				FOR REFERENCE ONLY WILL NOT BE UPDATED			
© COPYRIGHT 19- BY AMP HOLLAND B.V. ALL INTERNATIONAL RIGHTS RESERVED. AMP PRODUCTS MAY BE COVERED BY U.S. AND FOREIGN AND/OR PATENTS PENDING. THIS DRAWING IS UNPUBLISHED RELEASED FOR PUBLICATION							
AMP				AMP HOLLAND B.V. 's-Hertogenbosch, The Netherlands.			
C	EH-0837-94	LvdH	JvG	16 NOV '94	NAME	3x10 POS. FEMALE CONN. WITH SOLDER POSTS WITH FEATURE FOR CRIMP-ON SNAP-IN MODULE 3x6 POS.	
LTR.	REVISION RECORD			DR.	CHK.	DATE	
DR.: L.V.D. HEIJDEN	CHK.: J. GUNSVEN	APP.: V. SOEST	DATE: 15 NOV 1994		DWG. No.	C-216520	REV. LTR. C
						SHEET	1 OF 1