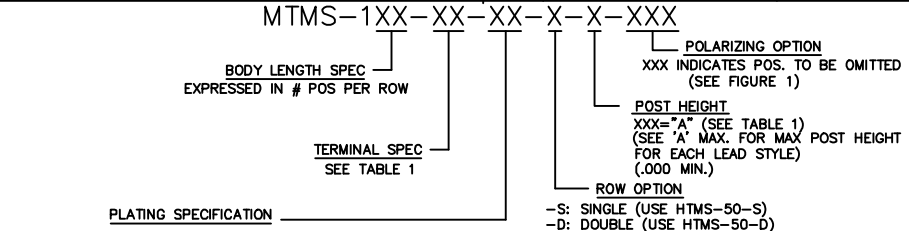
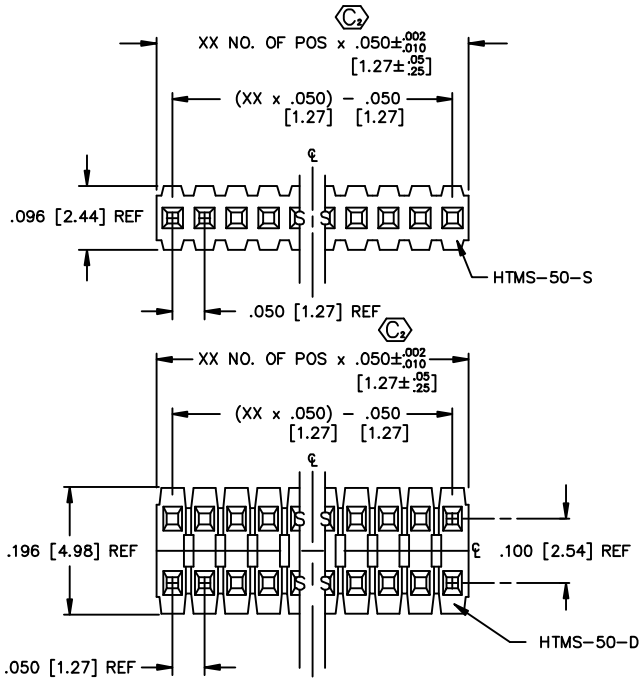


DIMENSIONS ARE IN INCHES UNLESS OTHERWISE NOTED TOLERANCES ARE:		ANGLES ± 2°
ONE PLACE DECIMALS ± .1 [3]	THREE PLACE DECIMALS ± .005 [.13]	
TWO PLACE DECIMALS ± .01 [.3]	FOUR PLACE DECIMALS ± .0020 [.051]	

TITLE: TERMINAL MICRO STRIP	DWG NO: MTMS-1XX-XX-XX-X-X-XXX
SHEET 1 OF 1	

- NOTES
1. MAX ALLOWABLE BOW: .005 IN/IN [mm/mm] AFTER ASSEMBLY.
 2. TERMINAL PUSHOUT FORCE: 2 lbs. MIN.
 3. MAX PIN ROTATION IN BODY: 2°.
 4. Ⓢ REPRESENTS A CRITICAL DIMENSION FOR STATISTICAL PROCESS CONTROL USE.
 5. CUT FLASH .010 [.25] MAX
 6. TUBE POSITIONS 8-50.



- PLATING SPECIFICATION
- G: GOLD, SPECIFY -G IN TERMINAL SUFFIX -XX
 - T: TIN, SPECIFY -T IN TERMINAL SUFFIX -XX
 - AVAILABLE ON -01, -02, -25, -51, & -52 LEAD STYLES ONLY
 - S: SELECTIVE, SPECIFY -S IN TERMINAL SUFFIX -XX
 - F: FLASH SELECTIVE GOLD, SPECIFY -F IN TERMINAL SUFFIX -XX
 - TM: MATTE TIN, SPECIFY -T IN TERMINAL SUFFIX -XX
 - AVAILABLE ON -01, -02, -25, -51, & -52 LEAD STYLES ONLY
 - SM: HEAVY GOLD SELECTIVE, MATTE TIN TAIL, SPECIFY -S IN TERMINAL SUFFIX -XX
 - FM: FLASH GOLD SELECTIVE, MATTE TIN TAIL, SPECIFY -F IN TERMINAL SUFFIX -XX
 - L: LIGHT GOLD SELECTIVE, MATTE TIN TAIL, SPECIFY -L IN TERMINAL SUFFIX -XX

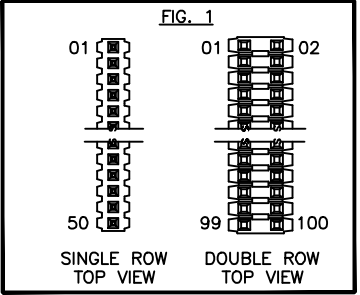


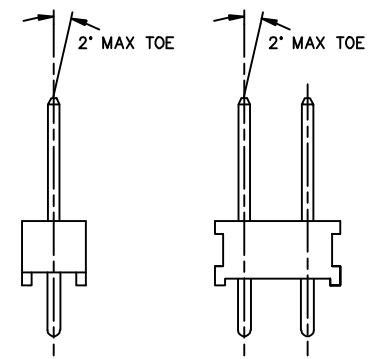
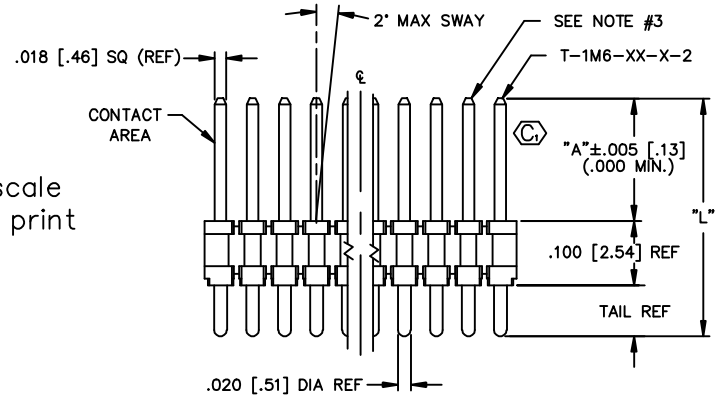
TABLE 2

PACKAGING TUBE TABLE (SEE NOTE 6)

BODY STYLE	LEAD STYLE	TUBE	PLUG
MTMS-DOUBLE STRAIGHT STYLES	-01, -21, -51, -52	PT-1-24-01-22	TP-03
	-02, -25	PT-1-24-05-38	TP-03
	-53	PT-1-24-02-66	TP-03
	-55, -56	PT-1-24-01-29	TP-24
	-54	PT-1-24-02-46	TP-03
	-57	PT-1-24-02-25	TP-03
	-58	PT-1-24-16-29	TP-07
	-59	PT-1-24-16-29	TP-07
	-60	PT-1-24-18-29	TP-07
	MTMS-SINGLE STRAIGHT STYLES	-01, -21, -53	PT-1-24-01-24
-58, -59, -60		PT-1-24-10-03	TP-03
-02, -25		PT-1-24-01-12	TP-12
-51, -52		PT-1-24-01-24	TP-24
-54, -55		PT-1-24-02-03	TP-24
-57		PT-1-24-01-46	TP-24
-56		PT-1-24-02-03	TP-24

TABLE 1

LEAD STYLE	TERMINAL SPEC.	'L'	'A' MAX.
-01	T-1M6-18-X-2	.450 [11.43]	.230 [5.84]
-02	T-1M6-17-X-2	.320 [8.13]	.100 [2.54]
-25	T-1M6-25-X-2	.330 [8.38]	.125 [3.18]
-51	T-1M6-02-X-2	.410 [10.41]	.190 [4.83]
-52	T-1M6-12-X-2	.425 [10.80]	.205 [5.21]
-53	T-1M6-04-X-2	.505 [12.83]	.285 [7.24]
-54	T-1M6-14-X-2	.555 [14.10]	.335 [8.51]
-55	T-1M6-03-X-2	.610 [15.49]	.390 [9.91]
-56	T-1M6-13-X-2	.625 [15.88]	.405 [10.29]
-57	T-1M6-19-X-2	.650 [16.51]	.430 [10.92]
-58	T-1M6-05-X-2	.705 [17.91]	.485 [12.32]
-59	T-1M6-15-X-2	.755 [19.18]	.535 [13.59]
-60	T-1M6-16-X-2	.825 [20.96]	.605 [15.37]



Do not scale from this print

PROPRIETARY NOTE
THIS DOCUMENT CONTAINS INFORMATION CONFIDENTIAL AND PROPRIETARY TO SAMTEC, INC. AND SHALL NOT BE REPRODUCED OR TRANSMITTED IN ANY FORM OR BY ANY MEANS, ELECTRONIC OR MECHANICAL, INCLUDING PHOTOCOPYING, RECORDING, OR BY ANY INFORMATION STORAGE AND RETRIEVAL SYSTEM, WITHOUT THE WRITTEN CONSENT OF SAMTEC, INC.

520 PARK EAST BLVD. NEW ALBANY, INDIANA 47150
PHONE (812) 944-6733 P.O. BOX 1147
CODE 55322

samtec

MADE BY: GREG REIDINGER 5-8-91
CHECKED BY: McCARTIN

ENG. APPROVAL: DEM

MTMS-1XX-XX-XX-X-X-XXX
SHEET 1 OF 1