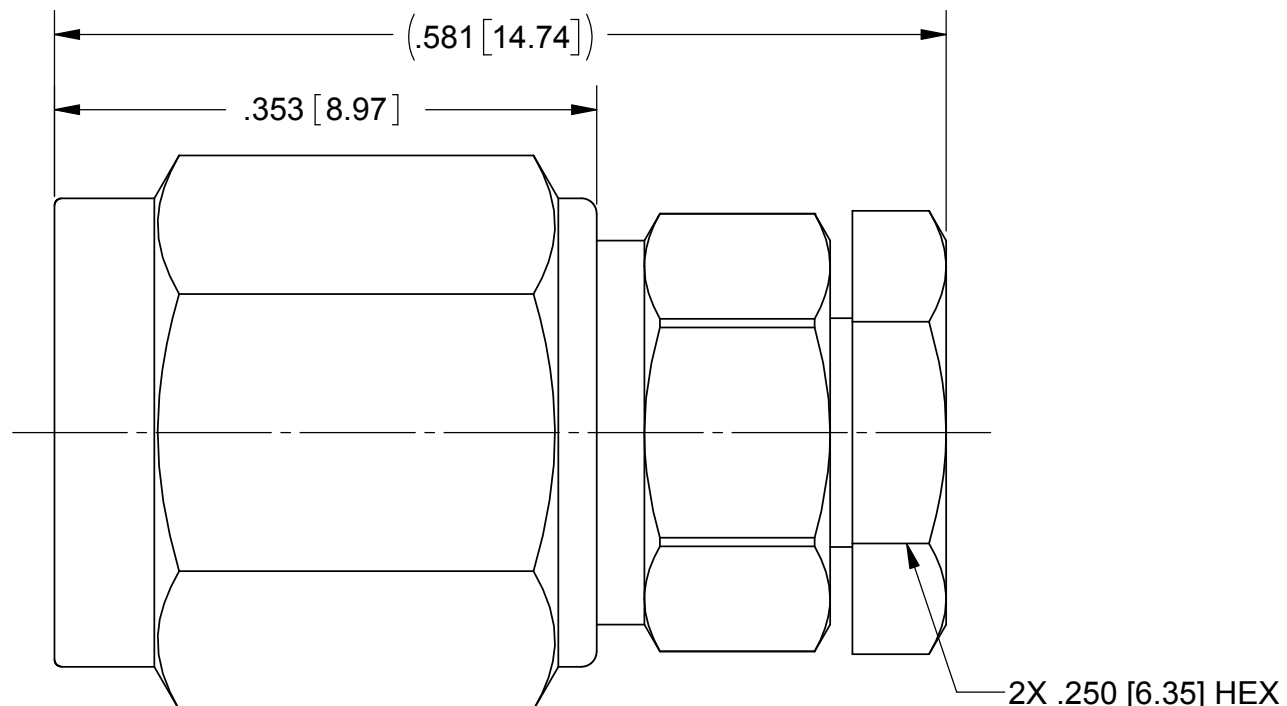
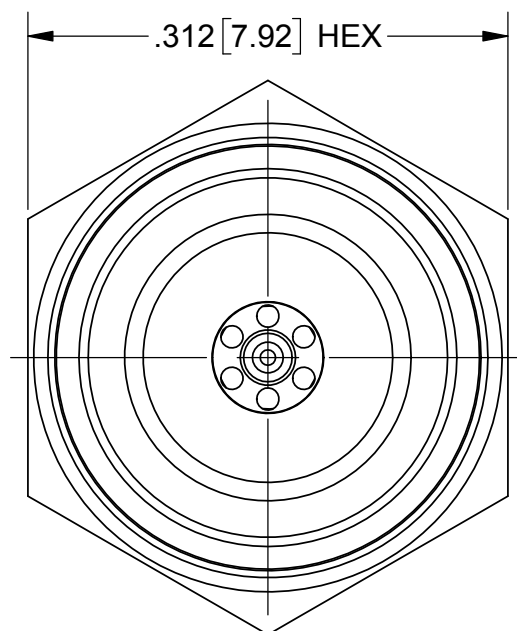


# PRODUCT DATA DRAWING

REVISION HISTORY			
REV	DESCRIPTION	DATE	APPROVED
-	REL. DCN 39275	08/10/12	STW
A	REV. DCN 41068	01/21/15	STW
B	DCN 46934	10/17	STW



**MATERIAL:**

BODY, CLAMP NUT,  
COUPLING NUT &  
FERRULE:

STAINLESS STEEL PER AMS-5640,  
ALLOY UNS S30300, TYPE 1  
OR ASTM A582, TYPE 303

CONTACTS &  
LOCK RING:

BERYLLIUM COPPER PER ASTM B196,  
ALLOY No. UNS C17300, TD04

INSULATORS:

POLYETHERIMIDE (ULTEM 1000)  
PER ASTM D2505

GASKET:

SILICONE RUBBER PER A-A-59588,  
CLASS 2B, GRADE 50/60

FINISH:

CONTACTS &  
FERRULE:

GOLD PER ASTM B 488, TYPE II,  
CODE C, CLASS 1.27; OVER NICKEL  
PER AMS-QQ-N-290, CLASS 1, .00005" MIN.

BODY, CLAMP NUT &  
COUPLING NUT:

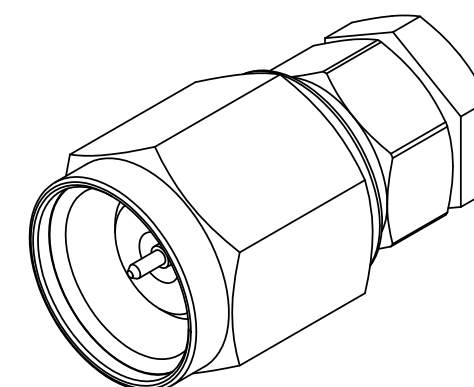
PASSIVATED PER AMS-2700

PERFORMANCE:

IMPEDANCE: 50 OHMS  
FREQ. RANGE: DC TO 65.0 GHz  
VSWR: 1.33:1 DC TO 65.0 GHz  
INSERTION LOSS: .03 X SQRT F(F IN GHz)  
DWV: 500 VRMS  
OPERATING TEMP.: -55 °C TO +125 °C

ENGAGEMENT/  
DISENGAGEMENT:

2 IN-LBS



MATERIAL: SEE NOTES	DIMENSIONS ARE IN INCHES TOLERANCES: FRACTIONAL: ±1/64 ANGULAR: X° ±1'0" X"X' ±15'	UNLESS OTHERWISE SPECIFIED 1) ALL DIMENSIONS ARE IN INCHES (MILLIMETERS) 2) ALL DIMENSIONS ARE AFTER PLATING. 3) BREAK CORNERS & EDGES .005 R. MAX. 4) CHAM. 1ST & LAST THREADS. 5) SURFACE ROUGHNESS 63-MIL-STD-10. 6) DIA.'S ON COMMON CENTERS TO BE CONCENTRIC WITHIN .005 T.I.R. 7) REMOVE ALL BURRS	<b>SV Microwave, Inc.</b> 2400 Centrepark West Drive, Suite 100 West Palm Beach, FL 33409 TITLE: <b>1.85MM PLUG FOR Ø.086 CABLE</b>
FINISH: SEE NOTES	DECIMAL: X ±.030 .XX ±.010 .XXX ±.005	INTERPRET DIMENSIONS AND TOLERANCES PER ASME Y14.5M - 1994	
SURFACE AREA: N/A	THIRD ANGLE PROJECTION	DRAWN: JMC 08/10/12	SIZE: B CAGE CODE: 95077 DWG. NO.: SF3311-60003
PROPRIETARY THE INFORMATION CONTAINED IN THIS DRAWING IS THE SOLE PROPERTY OF SV MICROWAVE, INC. ANY REPRODUCTION IN PART OR AS A WHOLE WITHOUT THE WRITTEN PERMISSION OF SV MICROWAVE, INC IS PROHIBITED.		CHECKED: STW 08/10/12	SCALE: 8:1
		APPROVED: STW 08/10/12	SHEET 1 OF 1