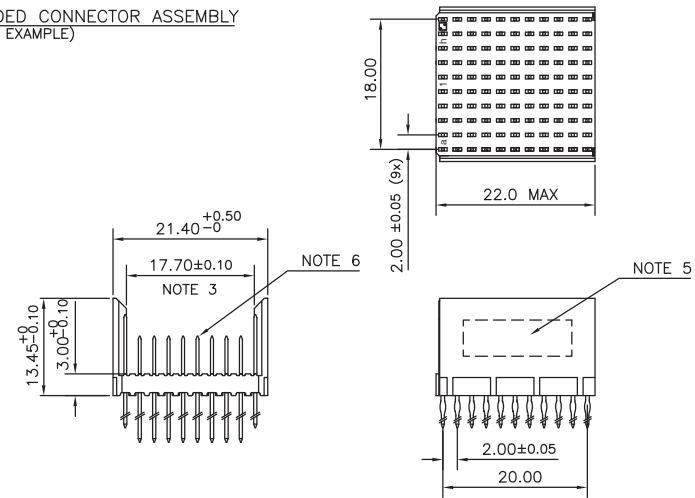


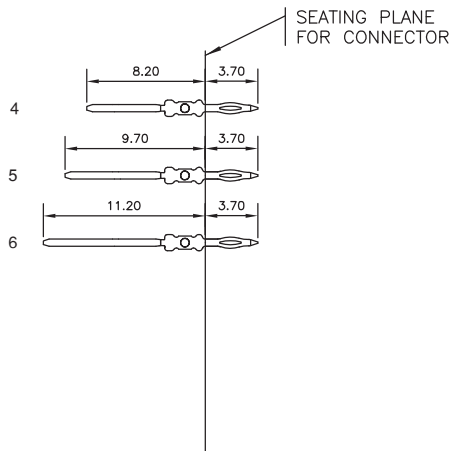
LOADING PATTERN MATING SIDE

y	6	6	6	6	6	6	6	6	6	6
h	4	5	5	5	5	5	5	5	5	4
g	5	5	5	5	5	5	5	5	5	5
f	5	5	5	5	5	5	5	5	5	5
e	5	5	5	5	5	5	5	5	5	5
d	5	5	5	5	5	5	5	5	5	5
c	5	5	5	5	5	5	5	5	5	5
b	5	5	5	5	5	5	5	5	5	5
a	5	5	5	5	5	5	5	5	5	5
z	6	6	6	6	6	6	6	6	6	6
pos	01	05	10							

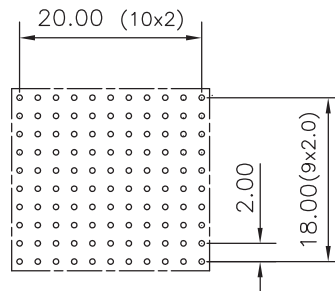
LOADED CONNECTOR ASSEMBLY
(FOR EXAMPLE)



CONTACT OVERVIEW



LAY-OUT P.C.B.-HOLE



LEAD FREE INDICATOR : LF = LEAD FREE
(DIGIT 15 & 16)

HM2P84PDF1R1

PLATING CODE (DIGIT 13 AND 14)
(REF DRW NO. BS,C , 201844 , 003)

NOTES

- THIS PRODUCT IS CSA APPROVED.
- THIS PRODUCT IS UL RECOGNIZED.
- MEASURED AT THE BOTTOM.
- MATERIAL CONTACT: PHOSPHORBRONZE
HOUSING: CREAM WHITE GLASS FILLED POLYESTER UL-94V0
- CONNECTOR PRINTED WITH P/N AND DATE CODE.
- FOR ACTUAL CONTACT LOADINGS, SEE LOADING PATTERN MATING SIDE.
- SHAPE OF CONNECTOR HOUSING CAN ALTER DEPENDING ON PRODUCTION LOCATION
- THE PRODUCT (LF) MEETS EUROPEAN UNION DIRECTIVES AND OTHER COUNTRY REGULATIONS AS DESCRIBED IN GS-22-008
- FOR RECOMMENDED PTH DIMENSIONS REFER DRAWING : BS, A , 201572 , 001
CATALOG NO: HM2P84PDF1R1----

mat'l. code		surface		tolerance		projection		product family	
SEE NOTE 4		ISO 1302		ISO 406 ISO 1101				MILLIPACS	
ecn no		dr		date		tolerances unless otherwise specified		title	
A	104-0070	MINI	2004/08/26			.0±0.2		MPACS 8+2R STR HDR PF CONN TYPE F	
B	105-0189	MINI	2005/10/13	angles		linear		(SPECIAL MODULE)	
C	106-0090	MINI	2006/06/27	0°±1°				scale	
dr		MINI K VANDANATH		2004/08/26		MM		dwg no	
enr		BUJU K PAUL		2004/08/26				sheet 1 of 1	
chr		BUJU K PAUL		2006/06/27				size	
appd		BUJU K PAUL		2006/06/27				A3	
sheet index		revision sheet		c				type	
1		1						Product Customer Drawing	