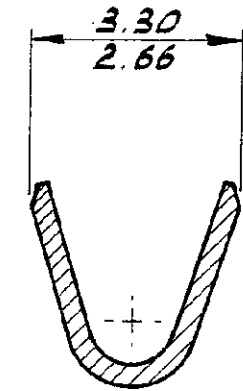
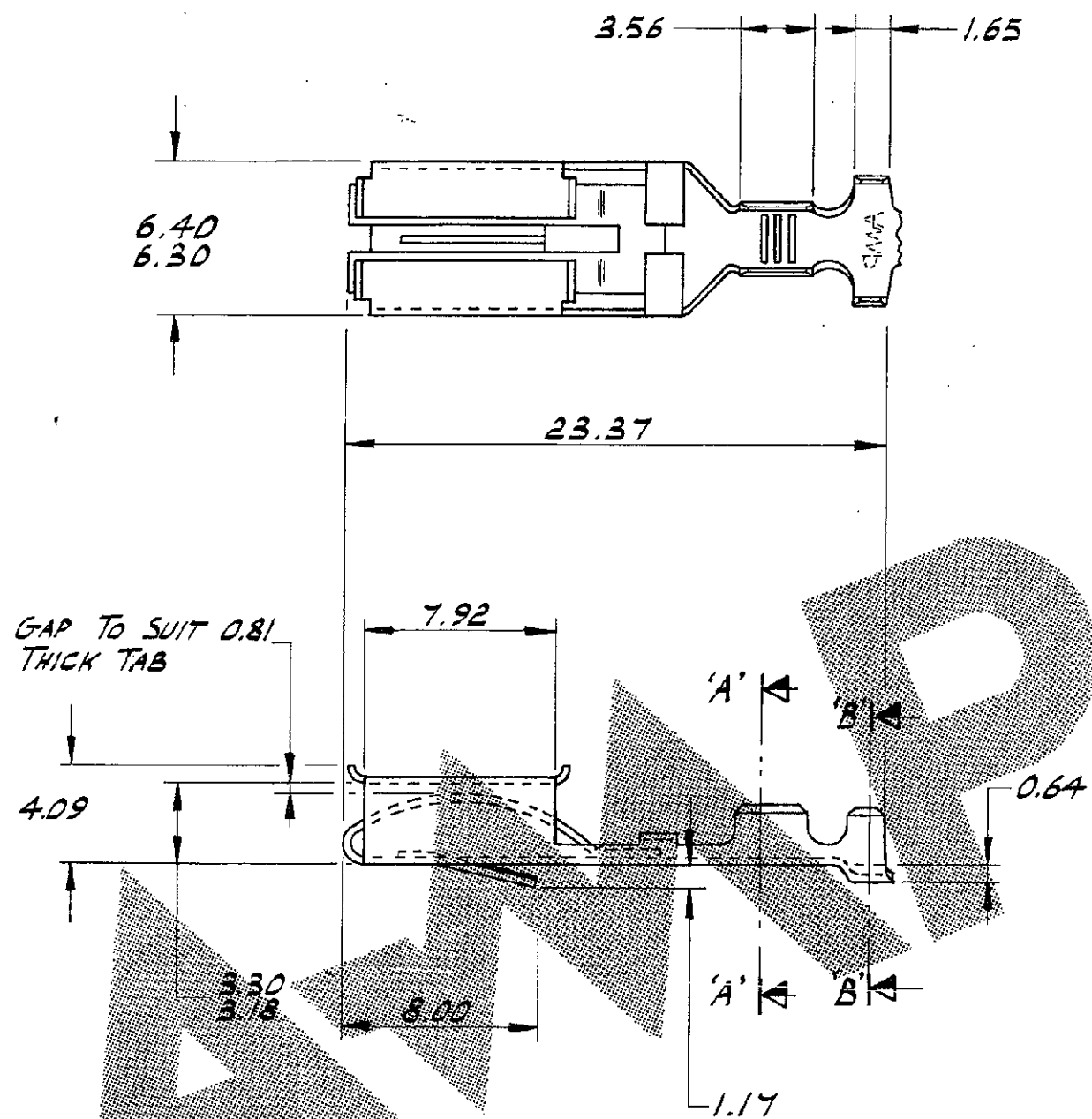


NUMBER C 342642

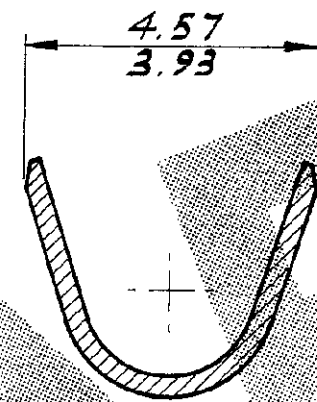
3rd ANGLE (AMERICAN) PROJECTION

METRIC DRAWING

DIMENSIONS IN M.M. DO NOT SCALE PRINT



SECTION 'A'-'A'
SCALE 10:1



SECTION 'B'-'B'
SCALE 10:1

GAP TO SUIT 0.81 THICK TAB

NOTE
✓ REEL Qty. 2-5M

WAS P83 9441 (GERMANY PROPOSAL)

342872-4	342642-4	PHOS. BRONZE	PRE-TIN
342872-3	342642-3	PHOS. BRONZE	NONE
342872-2	342642-2	BRASS	PRE-TIN
342872-1	342642-1	BRASS	NONE
L.P. PART NO	PART NO	MATERIAL	FINISH

© AMP of GREAT BRITAIN LTD 1983		CUSTOMER COPY REFERENCE ONLY	
E	SEE Ecn E800-0150-00	C.H.	10-3-00
3	-1 OBSOLETE	A.B.H.	5055 279 88
2	L.P. NOS ADDED	MW	7-3-85
1	FIRST DRAWN	-	-
ISS REVISION RECORD		DR	CHK DATE
DR	J.CREW	14.6.83	DE
CHK		17.10.83	AP
MATERIAL AND FINISH		AMP of Great Britain Ltd.	
0.40 THICK STOCK		TERMINAL HOUSE, STANMORE, MIDDX.	
SEE TABLE		CLASS	
WIRE - RANGE - INSULATION		TYPE	
0.5 - 1.5MM ² 1.4 - 2.5			
TOLERANCE EXCEPT AS NOTED		SCALE	LOC NO
± 0.5		± 1° 0'	4:1 E B C342642
NAME			
SPRING RECEPTACLE			