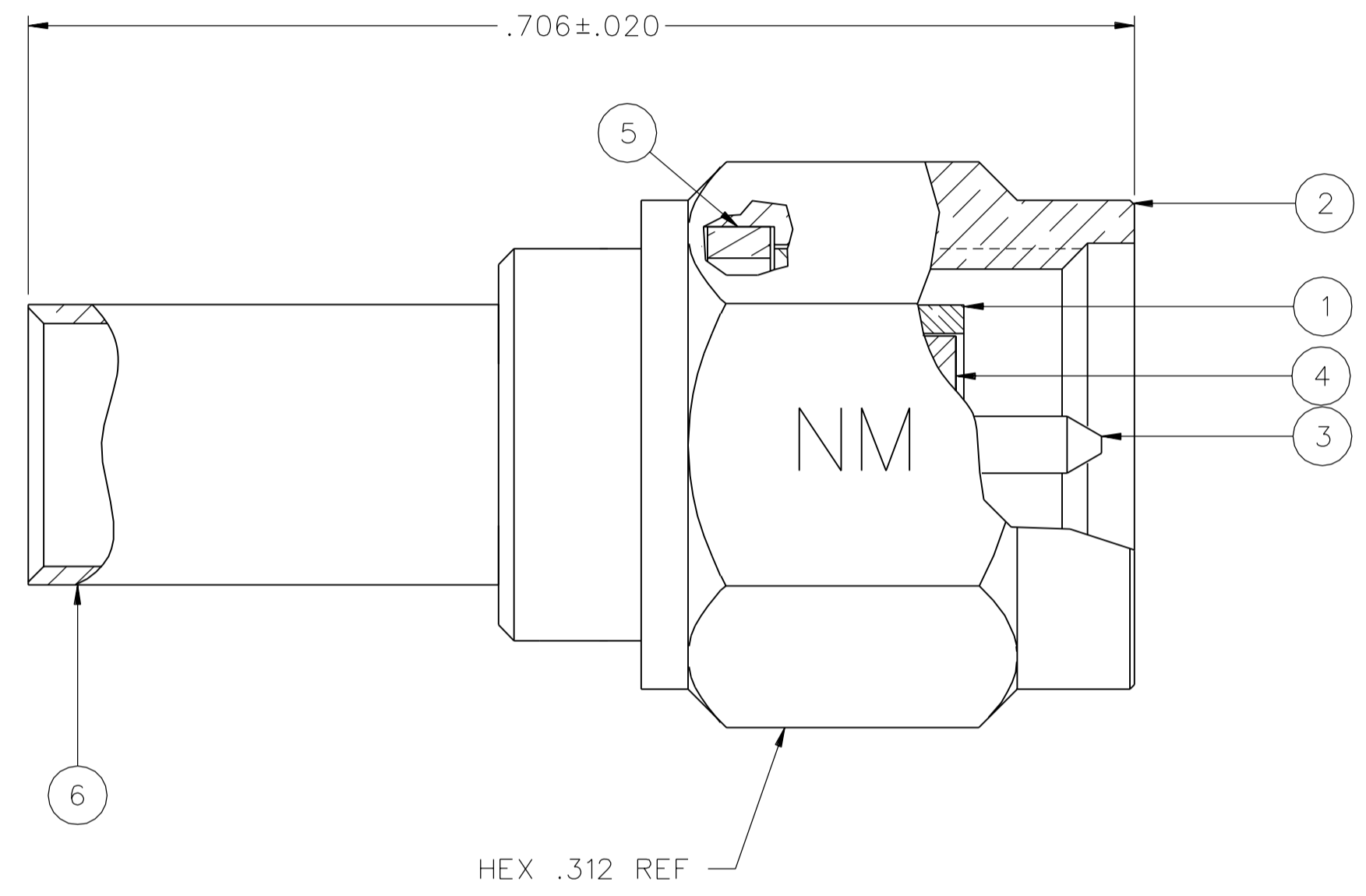
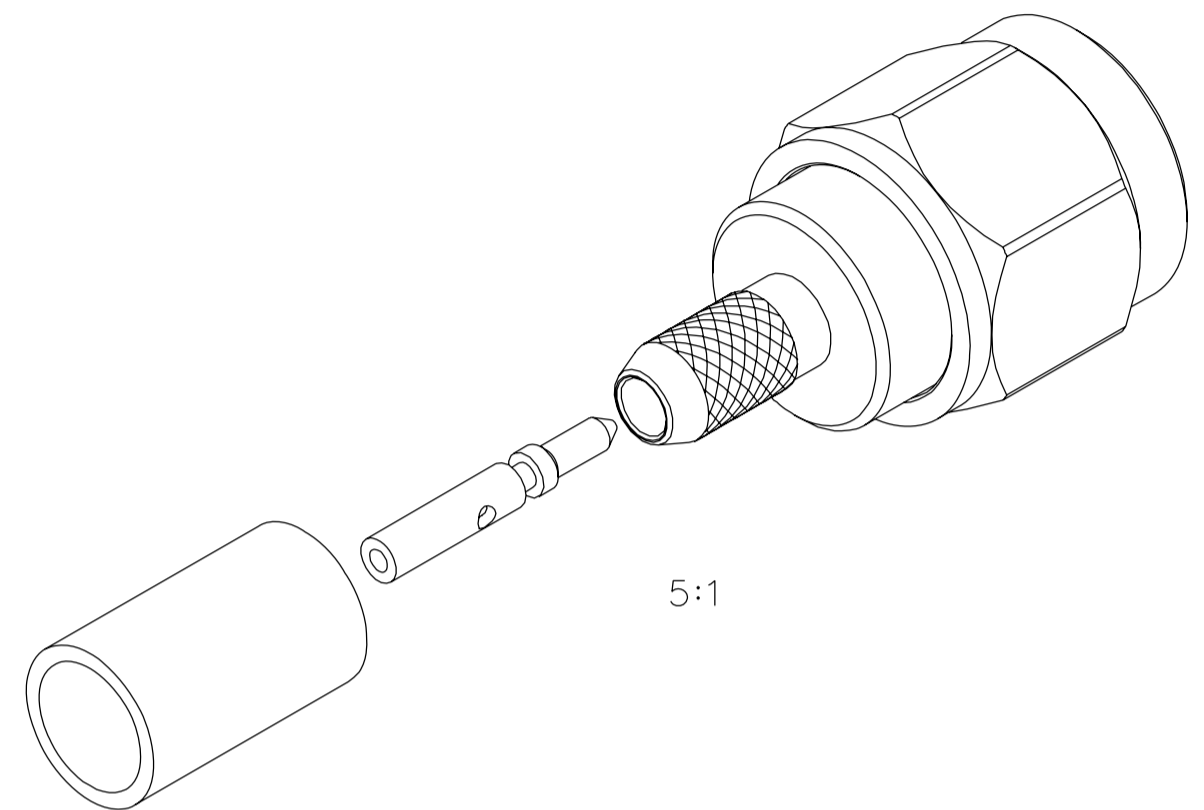


PART NUMBER	ITEM ① BODY	ITEM ② NUT	ITEM ③ CONTACT	ITEM ④ INSULATOR	ITEM ⑤ RETENTION SPRING	ITEM ⑥ CRIMP SLEEVE
142-9404-011	COPPER ALLOY GOLD PL .00005 MIN OVER COPPER PL .00005 MIN	COPPER ALLOY GOLD PL .00005 MIN OVER COPPER PL .00005 MIN	COPPER ALLOY GOLD PL .00005 MIN OVER COPPER PL .00005 MIN	TEFLON	BERYLLIUM COPPER UNPLATED	COPPER ALLOY GOLD PL .00005 MIN OVER COPPER PL .00005 MIN
142-9404-014	COPPER ALLOY SILVER PL .00005 MIN OVER COPPER PL .00005 MIN	COPPER ALLOY SILVER PL .00005 MIN OVER COPPER PL .00005 MIN	COPPER ALLOY SILVER PL .00005 MIN OVER COPPER PL .00005 MIN	TEFLON	BERYLLIUM COPPER UNPLATED	COPPER ALLOY SILVER PL .00005 MIN OVER COPPER PL .00005 MIN

DRAWING NO. C - 142-9404-011/020	
0	REVISIONS
ENGINEERING RELEASE	
1	7-16-03 R H T R J B ECN 48841
COPPER ALLOY WAS COPPER VERSION UPDATE	
2	2-21-07 P J D T M A T S K J U 10-3-04 ECN 31



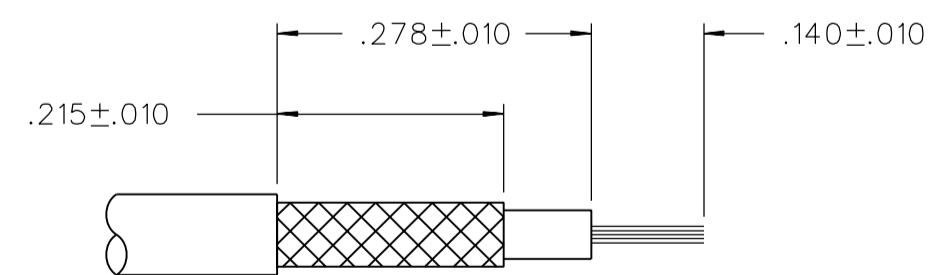
NOTES:

- SPECIFICATIONS:
 - IMPEDANCE: 50 OHMS
 - FREQUENCY RANGE: 0-12.4 GHz
 - VSWR: 1.15+.02 F MAX (F IN GHz)
 - WORKING VOLTAGE: 250 VRMS MAX AT SEA LEVEL
 - DIELECTRIC WITHSTANDING VOLTAGE: 750 VRMS MIN AT SEA LEVEL
 - INSULATION RESISTANCE: 5000 MEGOHM MIN
 - CONTACT RESISTANCE:
 - CENTER CONTACT - INITIAL 3.0 MILLIOHM MAX, AFTER ENVIRONMENTAL 4.0 MILLIOHM MAX
 - OUTER CONDUCTOR - INITIAL 2.0 MILLIOHM MAX AFTER ENVIRONMENTAL NOT APPLICABLE
 - BODY TO CABLE - 0.5 MILLIOHM MAX
 - CORONA LEVEL: 190 VOLTS MIN AT 70,000 FEET
 - INSERTION LOSS: .06 √F dB MAX (F IN GHz) AT 6 GHz
 - RF LEAKAGE: -60 DB MIN AT 2.5 GHz
 - RF HIGH POTENTIAL WITHSTANDING VOLTAGE: 500 VRMS MIN AT 4 AND 7 MHz

- MECHANICAL:
- ENGAGE/DISENGAGE TORQUE: 2 INCH-POUNDS MAX
 - MATING TORQUE: 7-10 INCH POUNDS
 - COUPLING PROOF TORQUE: 15 INCH-POUNDS MIN
 - COUPLING NUT RETENTION: 60 LBS MIN
 - CONTACT RETENTION: 6 LBS MIN
 - CABLE ACCEPTABILITY: RG 316/U DOUBLE SHIELDED
RG 188/U DOUBLE SHIELDED
 - CABLE HEX CRIMP SIZE: .151
 - CONTACT CRIMP TOOL: P/N 144-0000-910 WITH POSITIONER 141-0000-907
 - CABLE RETENTION: 20 LBS MIN AXIAL FORCE
 - DURABILITY: 500 CYCLES MIN

- ENVIRONMENTAL:
- (MEETS OR EXCEEDS THE APPLICABLE PARAGRAPH OF MIL-C-39012)
 - THERMAL SHOCK: MIL-STD-202, METHOD 107, CONDITION B, EXCEPT 85° C HIGH TEMP
 - OPERATING TEMPERATURE: -65° C TO 165° C
 - CORROSION: MIL-STD-202, METHOD 101, CONDITION B
 - SHOCK: MIL-STD-202, METHOD 213, CONDITION I
 - VIBRATION: MIL-STD-202, METHOD 204, CONDITION D
 - MOISTURE RESISTANCE: MIL-STD-202, METHOD 106

2. CONNECTOR MARKED "NM" FOR NON-MAGNETIC.



CABLE STRIP DIMENSIONS

4:1

CUSTOMER DRAWING

THIS DRAWING TO BE INTERPRETED PER ASME Y 14.5M - 1994

"μSTATION"

COMPANY CONFIDENTIAL

TOLERANCE UNLESS OTHERWISE SPECIFIED		DRAWN BY RSH	DATE 12-20-02
DECIMALS	mm	CHECKED BY TAK	DATE 7-16-03
.XX	_____	APPROVED BY RJB	DATE 7-16-03
.XXX	_____	RELEASE DATE	7-16-03
MATL	_____	U/M	INCH
FINISH	_____	SCALE	10:1

cinch Connectivity Solutions
P.O. Box 1732
Waseca, MN 56093
1-800-247-8256

TITLE
PLUG ASSEMBLY,
STRAIGHT CABLED,
NON-MAGNETIC SMA, RG 316 DS

SHEET 2 OF 2
DRAWING NO.
C - 142-9404-011/020