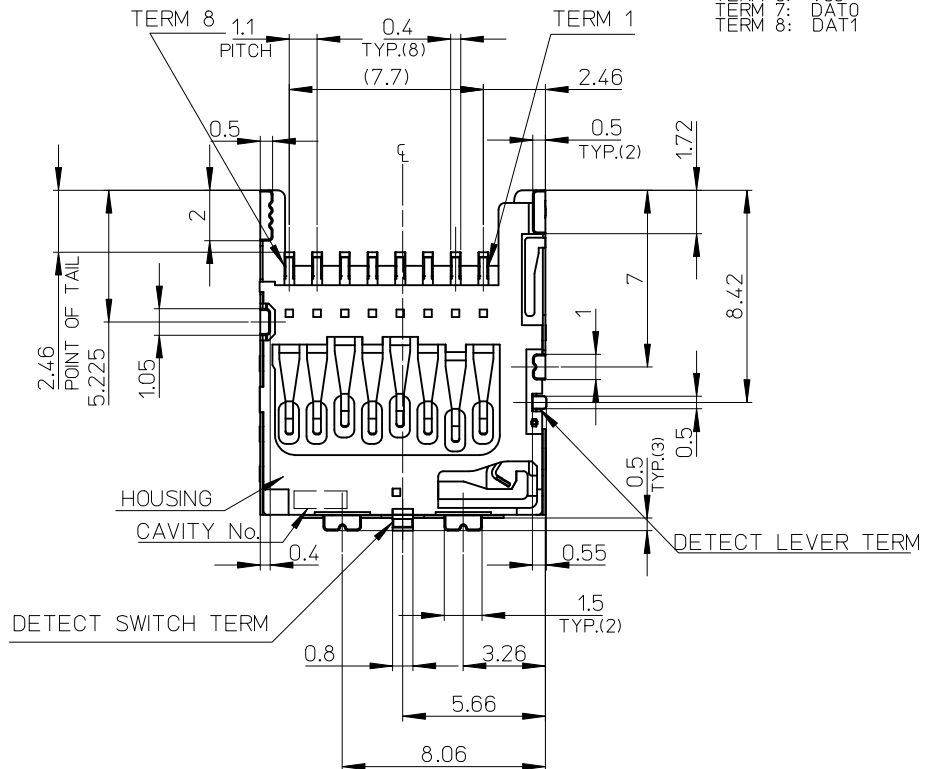
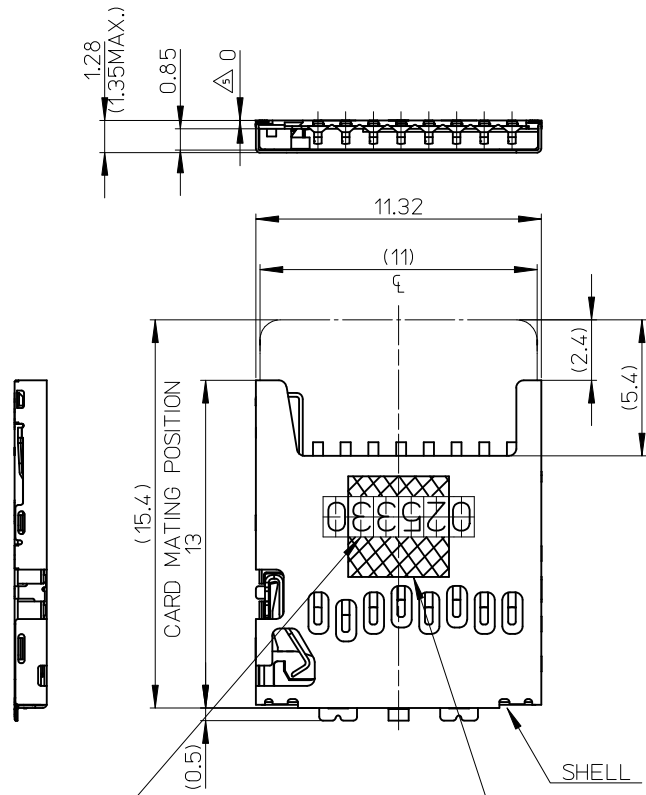


TERM 1: DATA2
 TERM 2: CD/DAT3
 TERM 3: CMD
 TERM 4: vdd
 TERM 5: CLK
 TERM 6: VSS
 TERM 7: DAT0
 TERM 8: DAT1



LOT No. 0 25 3 1 1
 THE LAST NUMBER OF YEAR
 0 : 2010
 1 : 2011
 2 : 2012
 A DAY OF THE WEEK (Europe and ISO Standard)
 3 : Wednesday
 WEEK NUMBER (Europe and ISO Standard)
 25 : 25weeks
 LINE No. SHIFT No.
 00 : JAPAN
 11 : DALIAN

504077-1891	8
EMBOSSED PACKAGE	CIRCUITS
ORDER NO.	
CONNECTOR SERIES No. 504077-1811	

REVISED EC NO.: J2012-1500 DRWN: MYAMANAKA 2012/06/05 CHKD: MTOMITA 2012/06/05 APPR: YO ITO 2012/06/14	DESCRIPTION	GENERAL TOLERANCES (UNLESS SPECIFIED)		DIMENSION STYLE	SCALE	DESIGN UNITS	THIRD ANGLE PROJECTION	
		10 UNDER ±0.2		MM ONLY	5:1	METRIC		
		10 OVER 30 UNDER ±0.25		DRAWN BY	DATE	TITLE		
		30 OVER ±0.3		MYAMANAKA	2012/02/28	MICRO SD CONN. PUSH/PULL H=1.28 WITH DETECT SW		
REV B	DESCRIPTION	ANGULAR ±1 °		CHECKED BY	DATE	DOCUMENT NO.		
		DRAFT WHERE APPLICABLE MUST REMAIN WITHIN DIMENSIONS		MTOMITA	2012/02/28	SD-504077-001		
				APPROVED BY	DATE	SHEET NO.		
				YO ITO	2012/03/02	1 OF 2		
				MATERIAL NO.		SEE CHART		
				SIZE		THIS DRAWING CONTAINS INFORMATION THAT IS PROPRIETARY TO MOLEX INCORPORATED AND SHOULD NOT BE USED WITHOUT WRITTEN PERMISSION		
				A3				



NOTES : 1. MATERIAL

HOUSING : LIQUID CRYSTAL POLYMER
 UL94V-0, COLOR:BLACK
 TERMINAL : PHOSPHOR BRONZE
 SHELL : STAINLESS STEEL
 DETECT LEVER TERMINAL : PHOSPHOR BRONZE
 DETECT SWITCH TERMINAL : PHOSPHOR BRONZE

2. PLATING

TERMINAL
 (CONTACT AREA) GOLD 0.2 MICROMETER MINIMUM
 NICKEL 1.0 MICROMETER MINIMUM
 (TAIL AREA) GOLD 0.03 MICROMETER MINIMUM
 NICKEL 1.0 MICROMETER MINIMUM
 SHELL
 (TAIL AREA) GOLD 0.03 MICROMETER MINIMUM
 NICKEL 1.0 MICROMETER MINIMUM ALL OVER

DETECT LEVER TERMINAL :
 (CONTACT AREA) GOLD 0.2 MICROMETER MINIMUM
 NICKEL 1.0 MICROMETER MINIMUM
 (TAIL AREA) AU 0.03 MICROMETER MINIMUM
 NICKEL 1.0 MICROMETER MINIMUM

DETECT SWITCH TERMINAL :
 (CONTACT AREA) GOLD 0.2 MICROMETER MINIMUM
 NICKEL 1.0 MICROMETER MINIMUM
 (TAIL AREA) GOLD 0.03 MICROMETER MINIMUM
 NICKEL 1.0 MICROMETER MINIMUM

3. COPLANARITY TO BE 0.10 MAXIMUM.

4. ELV AND RoHS COMPLIANT.

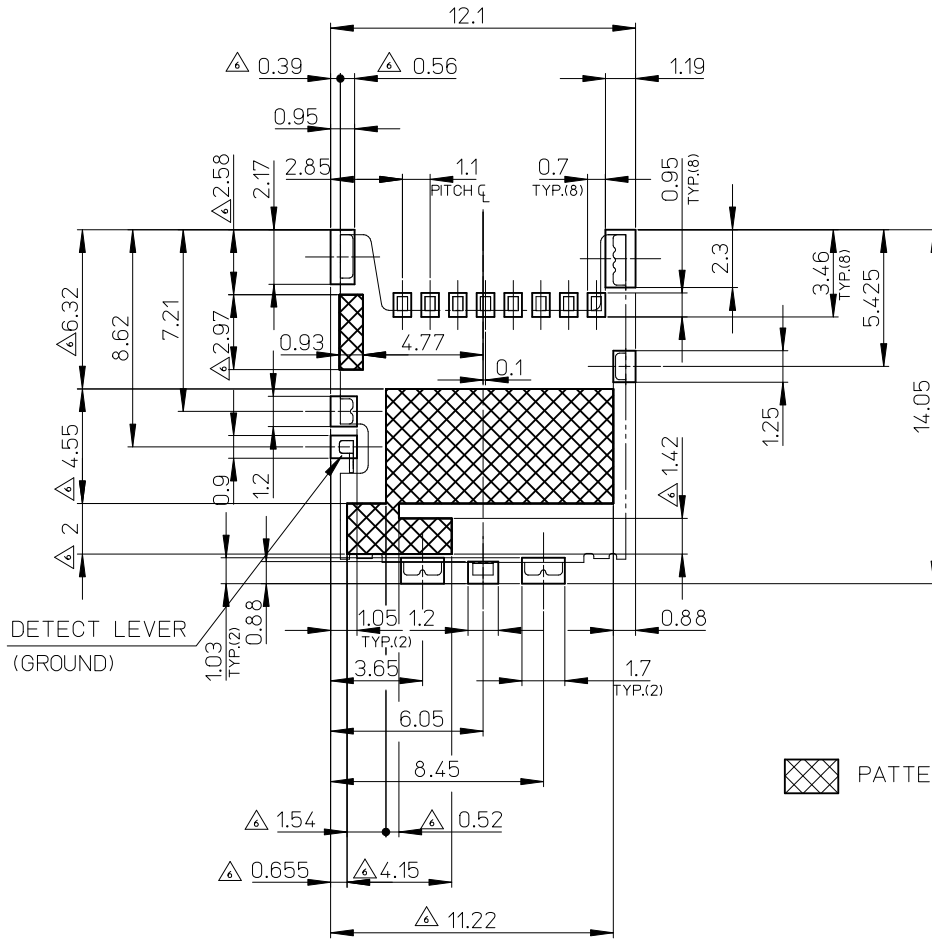
△ DIMENSION OF STAND OFF

△ PATTERN KEEP OUT AREA

7. DETECT SWITCH

CARD MATING POSITION	CLOSED
NO CARD POSITION	OPEN

8. (DIMENSION) : REFERENCE VALUE(IT IS NOT A MANAGEMENT DIMENSION)



RECOMMENDED P.W.BOARD PATTERN LAYOUT
 (TOLERANCE : ±0.05)

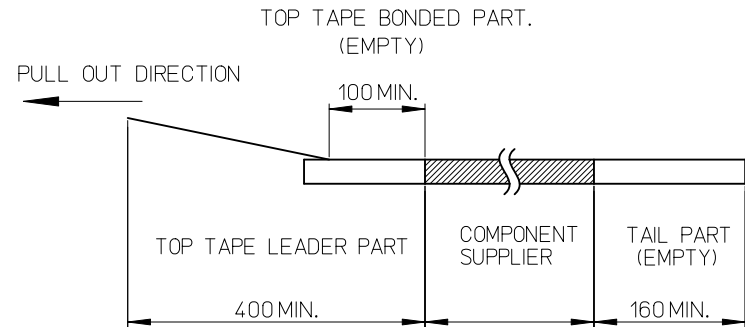
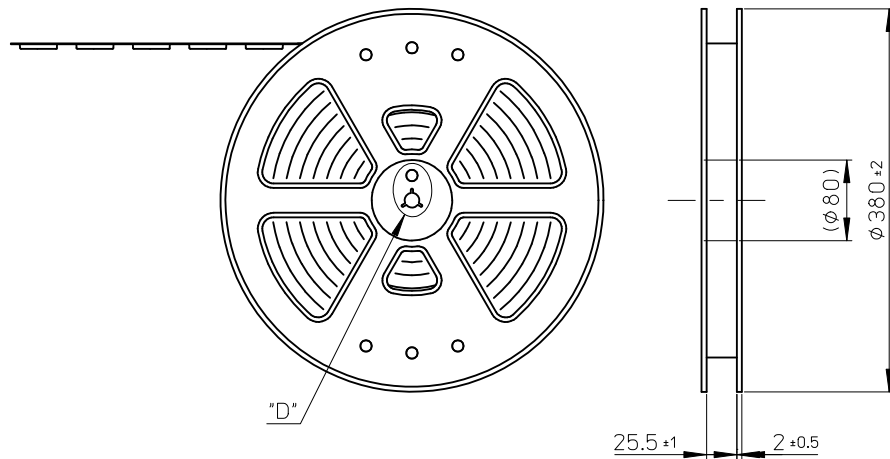
△ PATTERN KEEP OUT AREA

REVISED EC NO: J2012-1500 DRWN:MYAMANAKA 2012/06/05 CHKD:MTOMITA 2012/06/05 APPR:YO ITO 2012/06/14	DESCRIPTION	GENERAL TOLERANCES (UNLESS SPECIFIED)		DIMENSION STYLE MM ONLY		SCALE 5:1	DESIGN UNITS METRIC	THIRD ANGLE PROJECTION	
		10 UNDER	±0.2	DRAWN BY MYAMANAKA	DATE 2012/02/28	TITLE MICRO SD CONN. PUSH/PULL H=1.28 WITH DETECT SW			
		10 OVER 30 UNDER	±0.25	CHECKED BY MTOMITA	DATE 2012/02/28				
		30 OVER	±0.3	APPROVED BY YO ITO	DATE 2012/03/02				
REV	DESCRIPTION	ANGULAR ±1 ° DRAFT WHERE APPLICABLE MUST REMAIN WITHIN DIMENSIONS		MATERIAL NO. SEE CHART		DOCUMENT NO. SD-504077-001		SHEET NO. 2 OF 2	

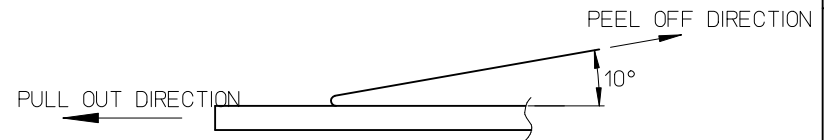
NOTES

1. RE DETAILED DIMENSION, SEE SALES DRAWING.
2. NUMBER OF CONNECTORS : 2400 PCS/REEL.
3. LEAD TAPE LENGTH.

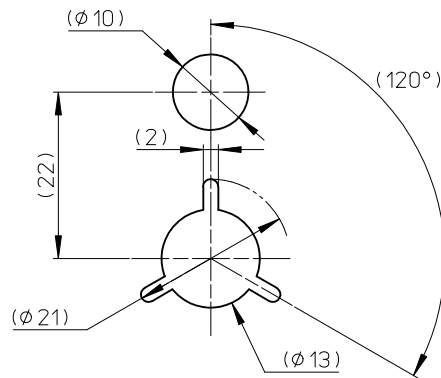
PULL OUT DIRECTION



4. PEELING OFF FORCE OF TOP TAPE : BASED UPON JIS C0806-3 (PEELING DIRECTION AS SHOWN IN FOLLOWING FIG.) THIS REQUIREMENT SHOULD BE APPLIED AT SHIPMENT. PEEL OFF SHOULD NOT BE ALLOWED, DURING TRANSPORTATION.



5. MATERIAL
 CARRIER TAPE : POLYSTYRENE
 TOP TAPE : PET, PE, PEF
 REEL : POLYSTYRENE (PS)<RECYCLE MATERIAL CONTAINED>



DETAIL "D"

504077-1891	8
EMBOSSED PACKAGE	CIRCUITS
ORDER NO.	
CONNECTOR SERIES No. 504077-1811	

RELEASED EC NO: J2012-1168 DRWN:MYAMANAKA 2012/02/28 CHKD:MTOMITA 2012/02/28 APPR:YOITO 2012/03/02	GENERAL TOLERANCES (UNLESS SPECIFIED)		DIMENSION STYLE MM ONLY		SCALE ---	DESIGN UNITS METRIC	THIRD ANGLE PROJECTION
	10 UNDER	± 0.2	DRAWN BY MYAMANAKA	DATE 2012/02/28	TITLE MICRO SD CONN. PUSH/PULL H=1.28 WITH DETECT SW EMBOSSED TAPE PACKAGE		
	10 OVER 30 UNDER	± 0.25	CHECKED BY MTOMITA	DATE 2012/02/28	MOLEX INCORPORATED		
	30 OVER	± 0.3	APPROVED BY YOITO	DATE 2012/03/02	MATERIAL NO. SEE CHART	DOCUMENT NO. SD-504077-002	SHEET NO. 1 OF 2
A	ANGULAR ± 1 ° DRAFT WHERE APPLICABLE MUST REMAIN WITHIN DIMENSIONS		THIS DRAWING CONTAINS INFORMATION THAT IS PROPRIETARY TO MOLEX INCORPORATED AND SHOULD NOT BE USED WITHOUT WRITTEN PERMISSION				

10 9 8 7 6 5 4 3 2 1

F

E

D

C

B

A

F

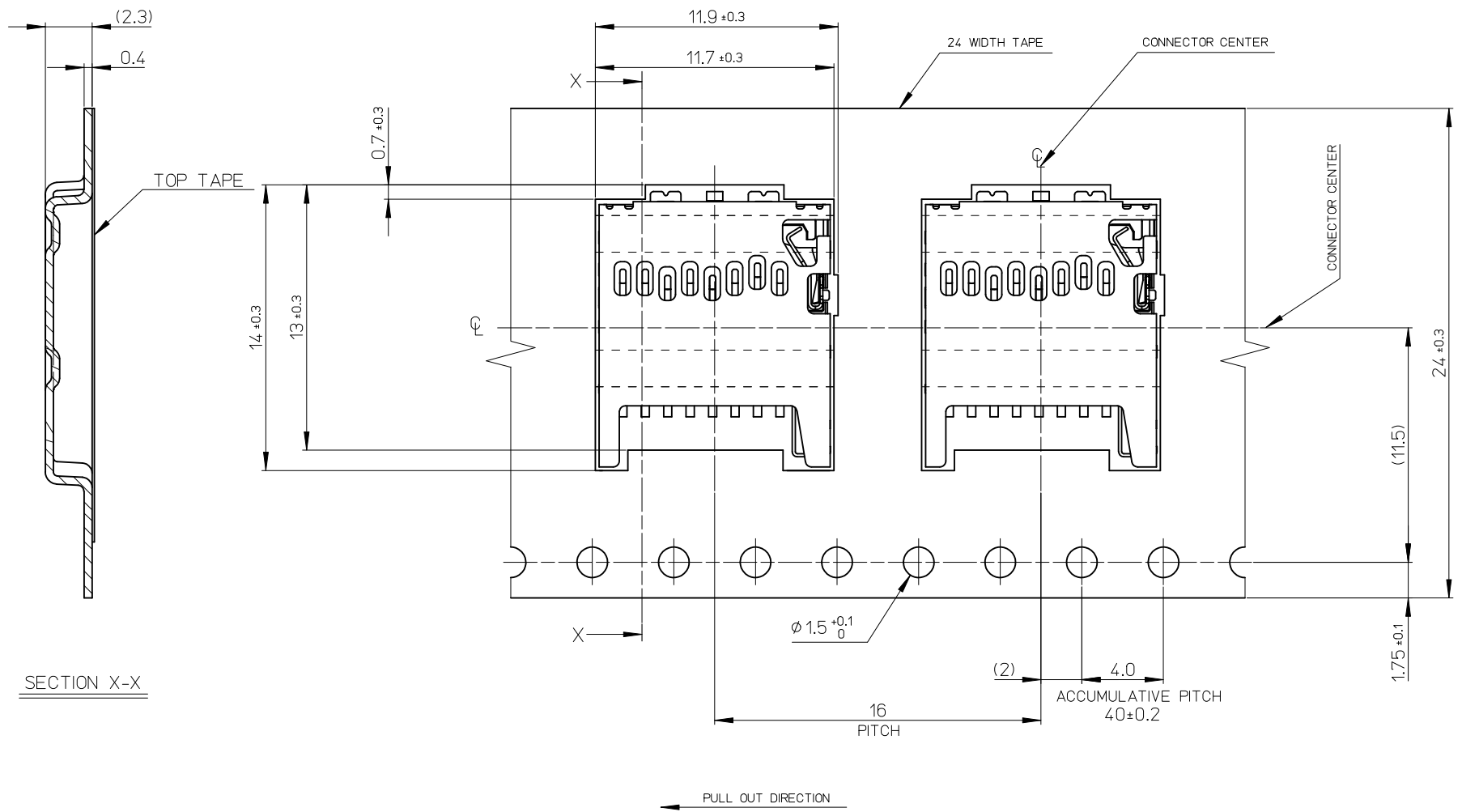
E

D

C

B

A



RELEASED EC NO: J2012-1168 DRWN: MYAMANAKA CHKD: MTOMITA APPR: YOITO	2012/02/28 2012/02/28 2012/03/02		GENERAL TOLERANCES (UNLESS SPECIFIED)		DIMENSION STYLE MM ONLY		SCALE 5:1		DESIGN UNITS METRIC		THIRD ANGLE PROJECTION	
	10 UNDER		± 0.2		DRAWN BY MYAMANAKA		DATE 2012/02/28		TITLE MICRO SD CONN. PUSH/PULL H=1.28 WITH DETECT SW EMBOSSED TAPE PACKAGE			
	10 OVER 30 UNDER		± 0.25		CHECKED BY MTOMITA		DATE 2012/02/28		MOLEX INCORPORATED			
	30 OVER		± 0.3		APPROVED BY YOITO		DATE 2012/03/02					
ANGULAR ± 1 °		DRAFT WHERE APPLICABLE MUST REMAIN WITHIN DIMENSIONS		MATERIAL NO. SEE CHART		THIS DRAWING CONTAINS INFORMATION THAT IS PROPRIETARY TO MOLEX INCORPORATED AND SHOULD NOT BE USED WITHOUT WRITTEN PERMISSION						