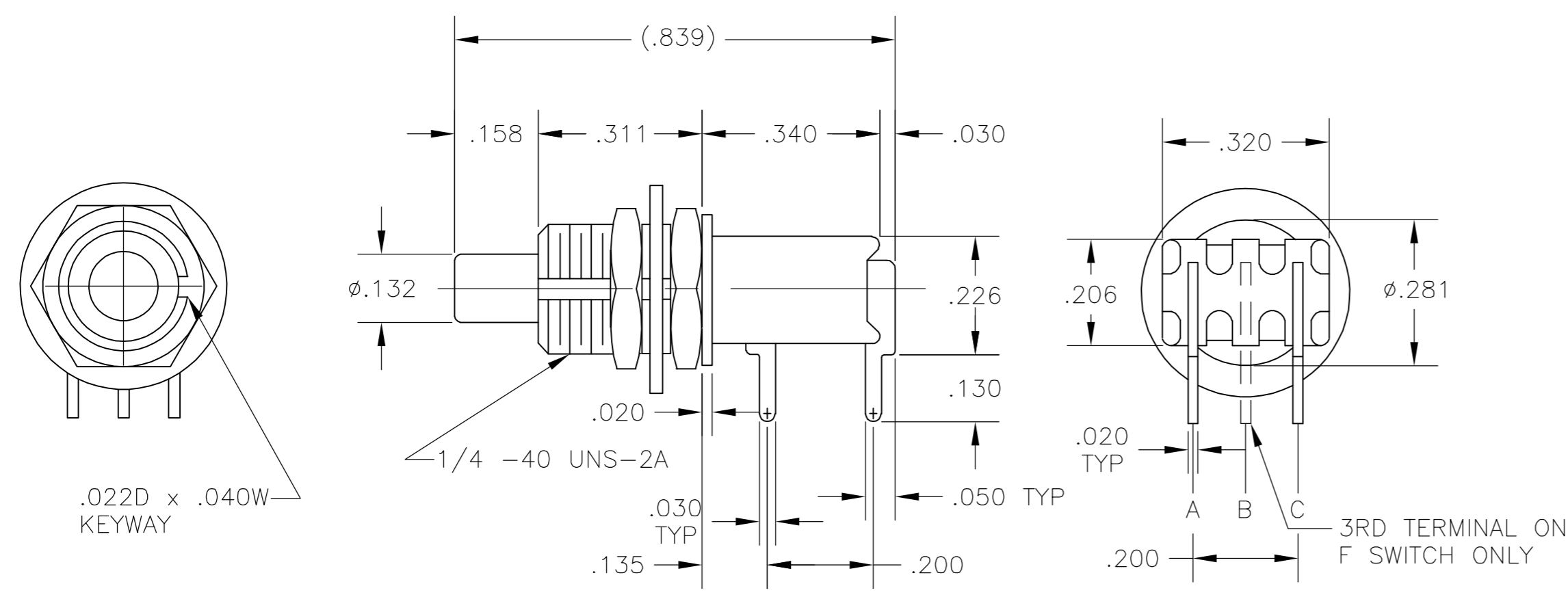


THIS DRAWING IS UNPUBLISHED. RELEASED FOR PUBLICATION
 © COPYRIGHT BY TYCO ELECTRONICS CORPORATION. ALL RIGHTS RESERVED.

LOC		DIST		REVISIONS			
AD	OO	P	LTR	DESCRIPTION	DATE	DWN	APVD
		B		ECO 06 000585	10AUG06	BSV	MZ



SPECIFICATIONS:

MATERIALS:
 CASE: HIGH TEMPERATURE POLYESTER UL 94V-0
 ACTUATOR BUTTON: THERMOPLASTIC, COLORS: SEE CHART BELOW
 MOVING CONTACT: COPPER ALLOY, GOLD PLATED OVER NICKEL
 FIXED CONTACT: COPPER ALLOY, GOLD PLATED OVER NICKEL
 TERMINALS: COPPER ALLOY, TIN/LEAD PLATED
 TERMINAL SEAL: SP EPOXY.

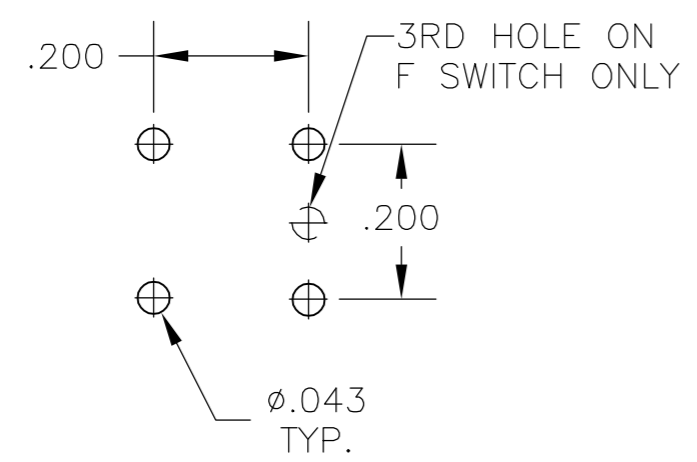
ELECTRICAL:
 CONTACT RATING: GOLD = 0.4 VA MAX. @20 VDC OR PEAK AC
 INITIAL CONTACT RESISTANCE: 20 MILLIOHMS MAX.
 INSULATION RESISTANCE: 1000 MEGOHMS @ 500 VDC MIN.
 DIELECTRIC STRENGTH: 1000VAC @ SEA LEVEL
 LIFE EXPECTANCY: 1 POLE = 100,000 CYCLES
 2 POLES = 80,000 CYCLES

MECHANICAL:
 ACTUATION FORCE: 50 TO 400 GRAMS
 ACTUATION TRAVEL: .030 APPROX.

ENVIRONMENTAL:
 OPERATING TEMPERATURE: -22°F TO +149°F (-30°C TO +65°C)
 STORAGE TEMPERATURE: -22°F TO +149°F (-30°C TO +65°C)

NOTES:

- INTERPRET DRAWING PER ASME Y14.5M-1994
- SPECIFICATIONS ARE SUBJECT TO CHANGES WITHOUT NOTICE



RECOMMENDED HOLE LAYOUT
 TOLERANCE ±.002 UNLESS OTHERWISE NOTED

(*)	BUTTON COLOR
0	BLACK
2	RED
6	BLUE

AUGAT D/N 40145

B TO C (MOM.)	B TO A	SPDT MOMENTARY	TPF11FG-RA (*)
A TO C	NONE	SPST NORMALLY OPEN	TPF11CG-RA (*)
DEPRESSED BUTTON	FREE BUTTON	ACTION	MODEL NO.
CONTACTS			

THIS DRAWING IS A CONTROLLED DOCUMENT.		DWN R.E.SWEENEY 10NOV78	Tyco Electronics Corporation Harrisburg, Pa 17105-3608	
DIMENSIONS: INCHES		CHK B.BUCKHEIT 20NOV78		
TOLERANCES UNLESS OTHERWISE SPECIFIED:		APVD F.D.KRICHOFF 20NOV78	NAME PUSH BUTTON SWITCH TPF11*G-RA(*)	
0 PLC ± - 1 PLC ± - 2 PLC ± - 3 PLC ± .010 4 PLC ± - ANGLES ± -		PRODUCT SPEC -	SIZE A2	
MATERIAL SEE SPECIFICATIONS		FINISH SEE SPECIFICATIONS	CAGE CODE 00779	DRAWING NO 7-1437572-2
		WEIGHT -	RESTRICTED TO -	
		CUSTOMER DRAWING	SCALE 4:1	SHEET 1 OF 1

7-1437572-2

A